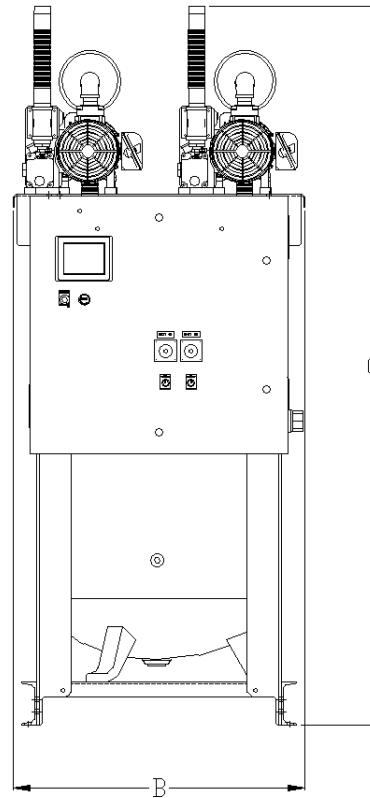
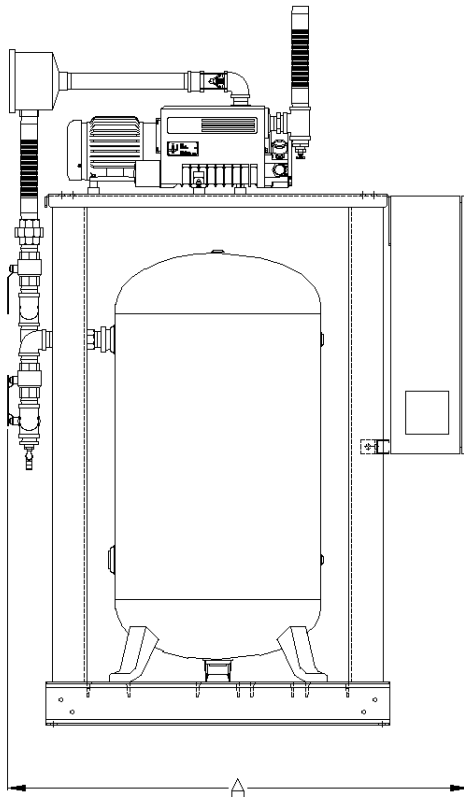
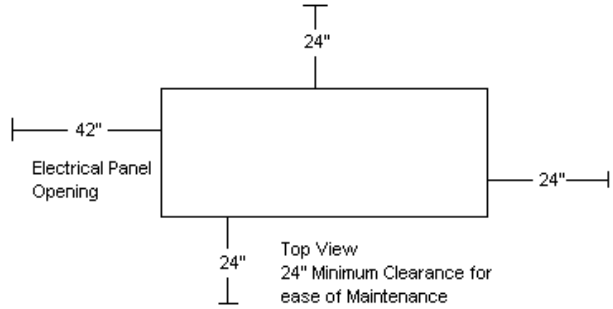




Medical Vacuum Tankmount 1.5-2HP with HMI/PBMI

Rev. 7/25/12

MODEL	DIM. A	DIM. B	DIM. C	Inlet	Outlet
VVTD0153	54"	34"	85"	1-1/2"	1-1/2"
VVTD0203	54"	34"	85"	1-1/2"	1-1/2"



Medical Vacuum Tankmount with HMI/PBMI										
MODEL	HP	SCFM @ 19" Hg	NFA System Capacity ¹	TANK SIZE (Gal.)	BTU/HR ²	dB(A) ³ LEVEL	SYSTEM F.L.A.			SYSTEM WT. (LBS.)
							208V	230V	460V	
VVTD0153	1.5	7	7	80V	3,818	70	11	10.8	6.4	1,200
VVTD0203	2	11	11	80V	5,090	70	13.2	12.8	7.4	1,300

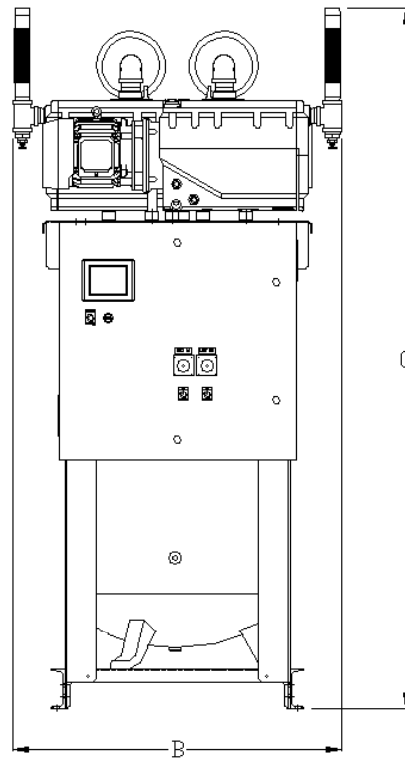
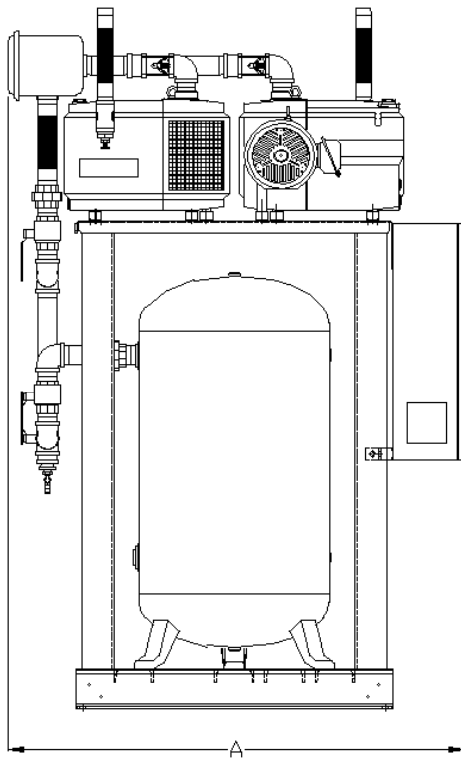
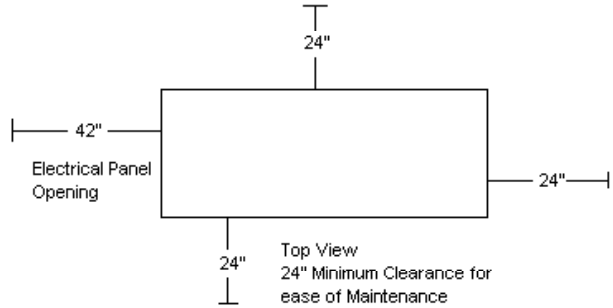
- Notes:
- 1- System Capacity is shown with one or more pumps in reserve per NFPA 99
 - 2 - BTU/HR Levels are shown with reserve pump(s) on standby
 - 3 - dB(A) is shown with one pump in reserve per NFPA99
 - 4 - 3 Year Limited Warranty



Medical Vacuum Tankmount 3-5HP with HMI/PBMI

Rev. 7/25/12

MODEL	DIM. A	DIM. B	DIM. C	Inlet	Outlet
VVTD0303	54"	34"	85"	1-1/2"	1-1/2"
VVTD0403	54"	34"	85"	1-1/2"	1-1/2"
VVTD0503	58"	42"	89"	2"	2"



Medical Vacuum Tankmount with HMI/PBMI										
MODEL	HP	SCFM @ 19" Hg	NFPA System Capacity ¹	TANK SIZE (Gal.)	BTU/HR ²	dB(A) ³ LEVEL	SYSTEM F.L.A.			SYSTEM WT. (LBS.)
							208V	230V	460V	
VVTD0303	3	17	17	80V	7,635	70	18.8	17.6	9.8	1,400
VVTD0403	5	26	26	80V	12,725	71	29.6	28	15	1,500
VVTD0503	5	41	41	80V	12,725	74	30.4	28	15	1,525

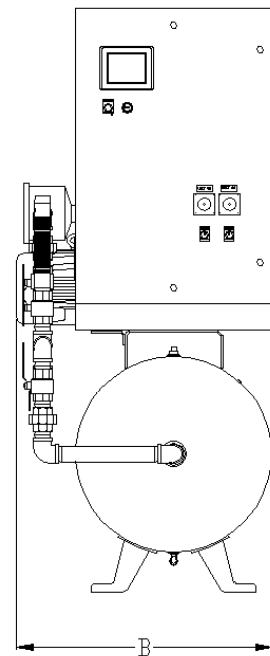
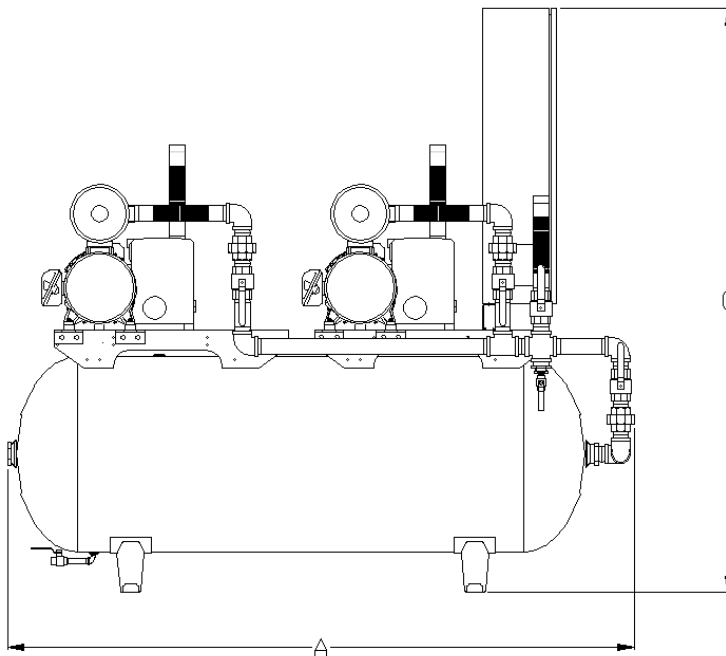
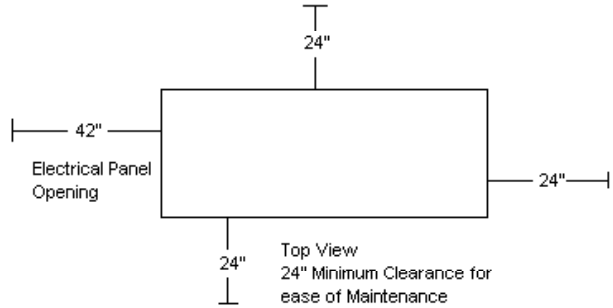
- Notes:
- 1- System Capacity is shown with one or more pumps in reserve per NFPA 99
 - 2 - BTU/HR Levels are shown with reserve pump(s) on standby
 - 3 - dB(A) is shown with one pump in reserve per NFPA99
 - 4 - 3 Year Limited Warranty



Medical Vacuum Tankmount with HMI/PBMI

Rev. 7/25/12

MODEL	DIM. A	DIM. B	DIM. C	Inlet	Outlet
VTD0153	71"	29"	68"	1-1/2"	1-1/2"
VTD0203	70"	29"	68"	1-1/2"	1-1/2"
VTD0303	70"	31"	68"	1-1/2"	1-1/2"
VTD0404	77"	32"	72"	1-1/2"	1-1/2"
VTD0504	77"	38"	71"	2"	1-1/2"
VTD0755	85"	44"	74"	2"	2"
VTD1006	90"	50"	75"	2"	2"



Medical Vacuum Tankmount with HMI/PBMI										
MODEL	HP	SCFM @ 19" Hg Each	NFPA System Capacity ¹	TANK SIZE (Gal.)	BTU/HR ²	dB(A) ³ LEVEL	SYSTEM F.L.A.			SYSTEM WT. (LBS.)
							208V	230V	460V	
VTD0153	1.5	7	7	80	3,818	70	11	10.8	6.4	850
VTD0203	2	11	11	80	5,090	70	13.2	12.8	7.4	950
VTD0303	3	17	17	80	7,635	70	18.8	17.6	9.8	1,100
VTD0404	5	26	26	120	12,725	71	29.6	28	15	1,250
VTD0504	5	41	41	120	12,725	74	30.4	28	15	1,250
VTD0755	7.5	52	52	200	19,088	79	44	42.8	22.4	2,200
VTD1006	10	77	77	240	25,450	81	54.8	53.2	27.6	2,300

- Notes:
- 1- System Capacity is shown with one or more pumps in reserve per NFPA 99
 - 2 - BTU/HR Levels are shown with reserve pump(s) on standby
 - 3 - dB(A) is shown with one pump in reserve per NFPA99
 - 4 - 3 Year Limited Warranty